

F1/S1 is a new generation of IT cabinet. A new platform for modular enclosures.
Better looking, more flexible and far more stable.



In spring 2014, Enoc System will launch a brand new IT cabinet – an enclosure for the future. It is available in two versions: F1 and S1.

F1/S1: A NEW IT CABINET PACKED WITH POSSIBILITIES

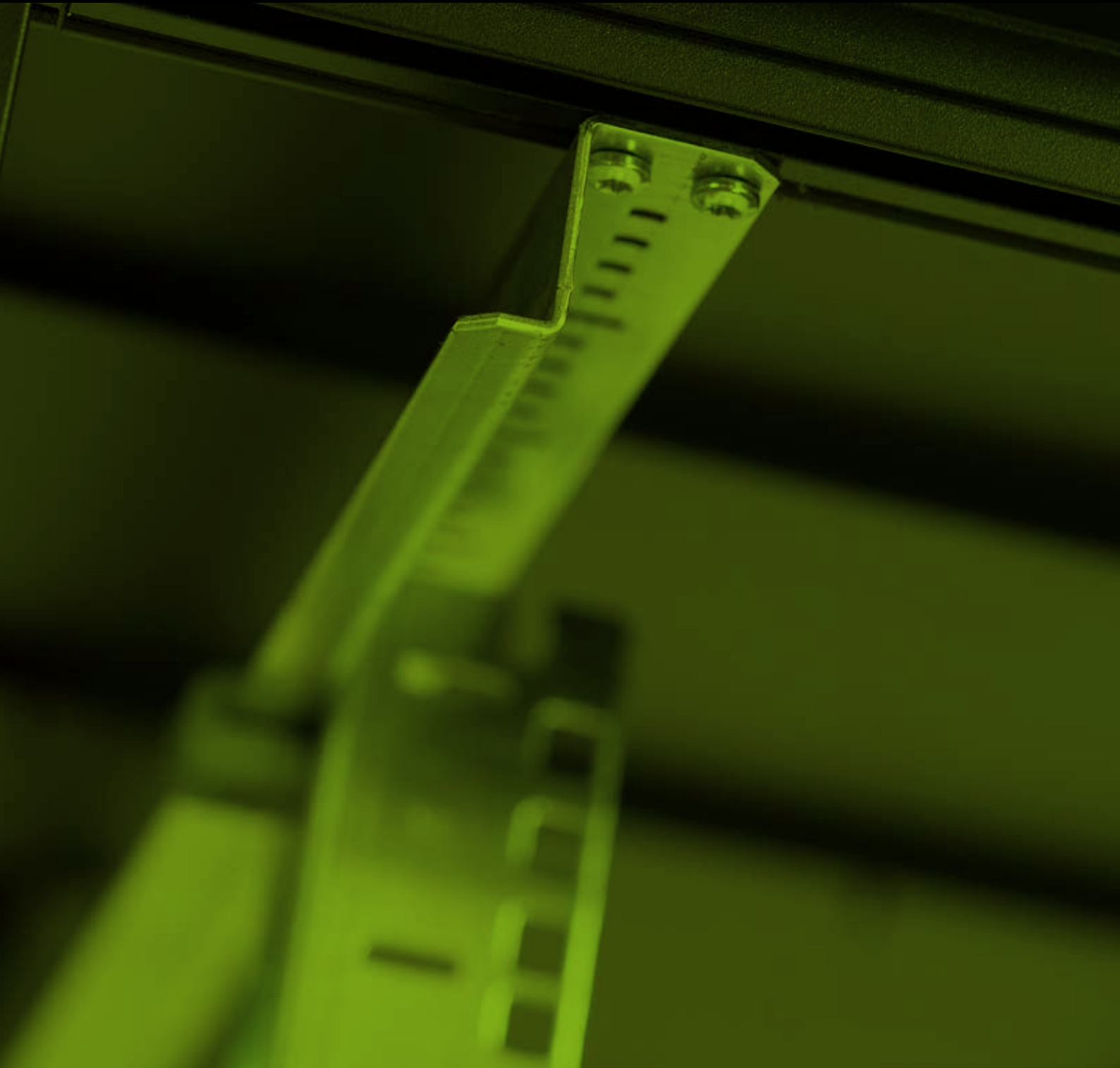
The F1/S1 is a brand new IT cabinet where every detail has a function. The new enclosure is more stable and easier to assemble and dismantle. Smart technical solutions in the enclosure's interior make it easier to install. Rounded corners, concealed screws and aluminium profiles give it a smart, elegant and flexible design.



S1



F1



In spring 2014, Enoc System will launch a brand new IT cabinet – an enclosure for the future. It is available in two versions: F1 and S1.

YOU DECIDE: **FLEXIBILITY AND DESIGN** **STABILITY AND FUNCTION**

All Enoc System's enclosures are modular. This makes them almost infinitely versatile.

Room for all your equipment

Thanks to Enoc System's stepless assembly system, you can put your equipment exactly where you want it in the F1/S1. With the option of off-centre positioning, you can create plenty of space where you need it.

A large space on both sides, or an extra large space on one side.

More stable than ever

F1-S1 is built with aluminium profiles and supports up to 1,500 kilos. The enclosure is assembled with nothing but screws, making it easy to assemble, dismantle and reassemble. The F1/S1 can be adapted as your business grows and changes.

Designed for the future

Enoc IT enclosures look so good that they are as suitable in an office as in a server room. The F1/S1 is definitely no exception. Its rounded corners give it a sleek look. Concealed screws, aluminium profiles and an integrated door contribute to a streamlined appearance.

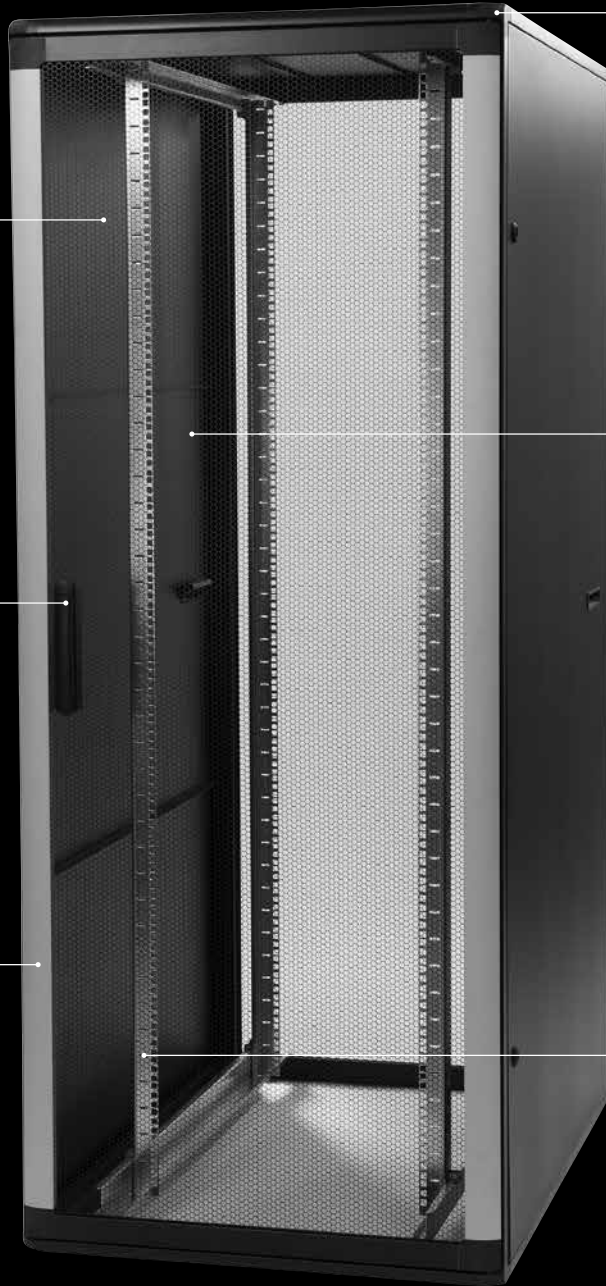


In spring 2014, Enoc System will launch a brand new IT cabinet – an enclosure for the future. It is available in two versions: F1 and S1.

F1/S1: NEW SOLUTIONS FOR A BETTER IT ENCLOSURE

F1/S1 – these enclosures are available in heights of 20, 24, 29, 33, 38, 42 and 47 HU in combination with widths of 600 and 800 mm and depths of 600, 800, 1,000 and 1,200 mm.

- Screw-assembled frame with aluminium profiles and die-cast zinc corners. The frame has two integrated vertical screw pockets in each corner profile for universal mounting of accessories.
- Frame can be dismantled by means of screws.
- Finish: Enoc System textured beige or black RAL9005.
- Ingress protection class IP20
- Maximum static load 1,500 kg.
- **F1** - Front door is made of 4 mm smoke-coloured safety glass built into an aluminium frame. LS 85 ergonomic locking handle with C101 safety cylinder. Can be adapted for other lock systems. Integrated quick lock system allows door to be removed without use of tools. Door opening angle $>180^\circ$ in single enclosure configuration. Right-hinged, can be re-hung to be left-hinged.
- **S1** - Front door is made of 1 mm perforated sheet steel built into an aluminium frame. 85% perforation (hexagonal) on perforated surface area. LS 85 ergonomic locking handle with C101 safety cylinder. Can be adapted for other lock systems. Integrated quick lock system allows door to be removed without use of tools. Door opening angle $>180^\circ$ in single enclosure configuration. Right-hinged, can be re-hung to be left-hinged.
- **F1** - Rear door made of 1 mm sheet steel built into an aluminium frame. LS 37 lock with C101 safety cylinder. Integrated quick lock system allows door to be removed without use of tools. Door opening angle $>180^\circ$ in single enclosure configuration. Right-hinged, can be re-hung to be left-hinged.
- **S1** - Rear door is made of 1 mm perforated sheet steel built into an aluminium frame. 85% perforation (hexagonal) on perforated surface area. LS 85 ergonomic locking handle with C101 safety cylinder. Can be adapted for other lock systems. Integrated quick lock system allows door to be removed without use of tools. Door opening angle $>180^\circ$ in single enclosure configuration. Right-hinged, can be re-hung to be left-hinged.
- **F1/S1** - Sheet steel side panels, easy to detach and lockable from inside. Integrated handle for easier handling.
- **Fo1/So1** - Frame has no doors or side panels. Can be supplemented with doors and side panels from our range of accessories.
- **F1/S1/So1** - The top consists of replaceable modular panels. One panel has cable glands with brush strip on the back and the rest are cover plates. Can be replaced with ventilation panels, fan packages or panels with integrated cable glands. All modules can be rotated 90° and assembled with the cable glands on the left and/or right side. The U-shaped panel with integrated cable glands makes it easy to move pre-existing installations into the enclosure.
- **Fo1** - Frame without top panels. Can be supplemented with top panels from our range of accessories.
- The base is open, but can be fitted with cover plate/base plate packages.
- The 19-inch profiles can be steplessly repositioned through the depth of the enclosure. The depth profiles have markings for precise positioning of the 19-inch profiles. The 19-inch profiles are numbered in height units. The whole 19-inch assembly can be moved right or left to an off-centre position. Enclosures with a depth of ≤ 800 mm have one pair of 19-inch profiles pre-installed at a depth of 100 mm from the front of the enclosure. Enclosures with a depth of $\geq 1,000$ mm have two pairs of 19-inch profiles. One pair is pre-installed at a depth of 100 mm from the front of the enclosure and the other pair is pre-installed 740 mm further in.
- 1 central earthing point M5 in corner upright.



Maximum static load 1,500 kg

LS 85 ergonomic locking handle with C101 safety cylinder. Can be adapted for other lock systems.

Frame can be dismantled by means of screws.

Screw-assembled frame with aluminium profiles and die-cast zinc corner pieces. The frame has two integrated vertical screw pockets in each corner profile for universal mounting of accessories.

F1 - Front door is made of 4 mm smoke-coloured safety glass built into an aluminium frame.

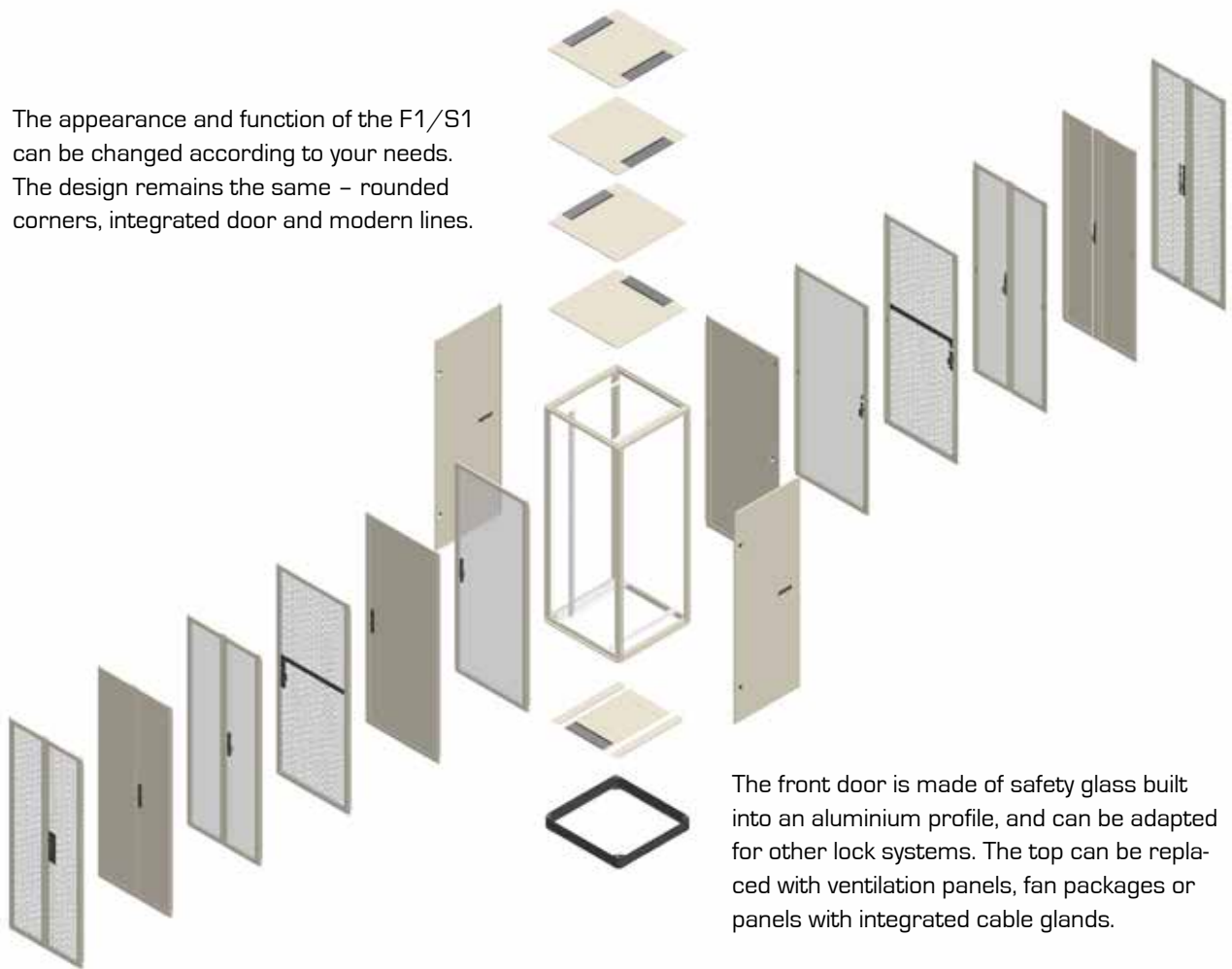
S1 - Front door is made of 1 mm perforated sheet steel built into an aluminium frame. 85% perforation (hexagonal) on perforated surface area.

The 19-inch profiles can be steplessly repositioned through the depth of the enclosure. The depth profiles have markings for precise positioning of the 19-inch profiles. The 19-inch profiles are numbered in height units. The whole assembly can be moved right or left to an off-centre position.

In spring 2014, Enoc System will launch a brand new IT cabinet – an enclosure for the future. It is available in two versions: F1 and S1.

F1/S1: YOUR OWN VERSION OF TOMORROW'S IT ENCLOSURE

The appearance and function of the F1/S1 can be changed according to your needs. The design remains the same – rounded corners, integrated door and modern lines.



The front door is made of safety glass built into an aluminium profile, and can be adapted for other lock systems. The top can be replaced with ventilation panels, fan packages or panels with integrated cable glands.

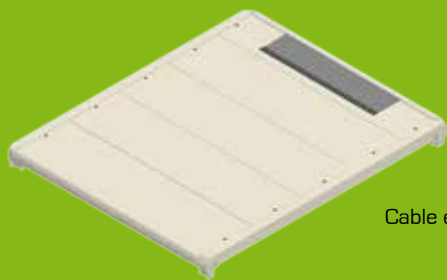


PRODUCT INFORMATION

In spring 2014, Enoc System will launch a brand new IT cabinet – an enclosure for the future. It is available in two versions: F1 and S1.

F1/S1: FLEXIBILITY TO INFINITY

Below you can see some of what's possible with new F1/S1. The limitation is modular panels, space and your imagination. The range will be presented in an upcoming brochure with all new accessories.



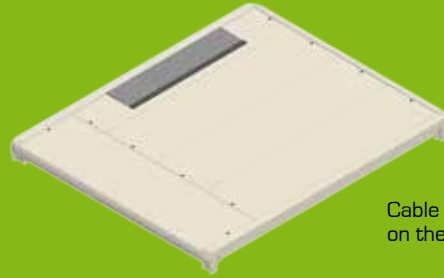
Cable entrance back



Add ventilation plate



Large cable entrance



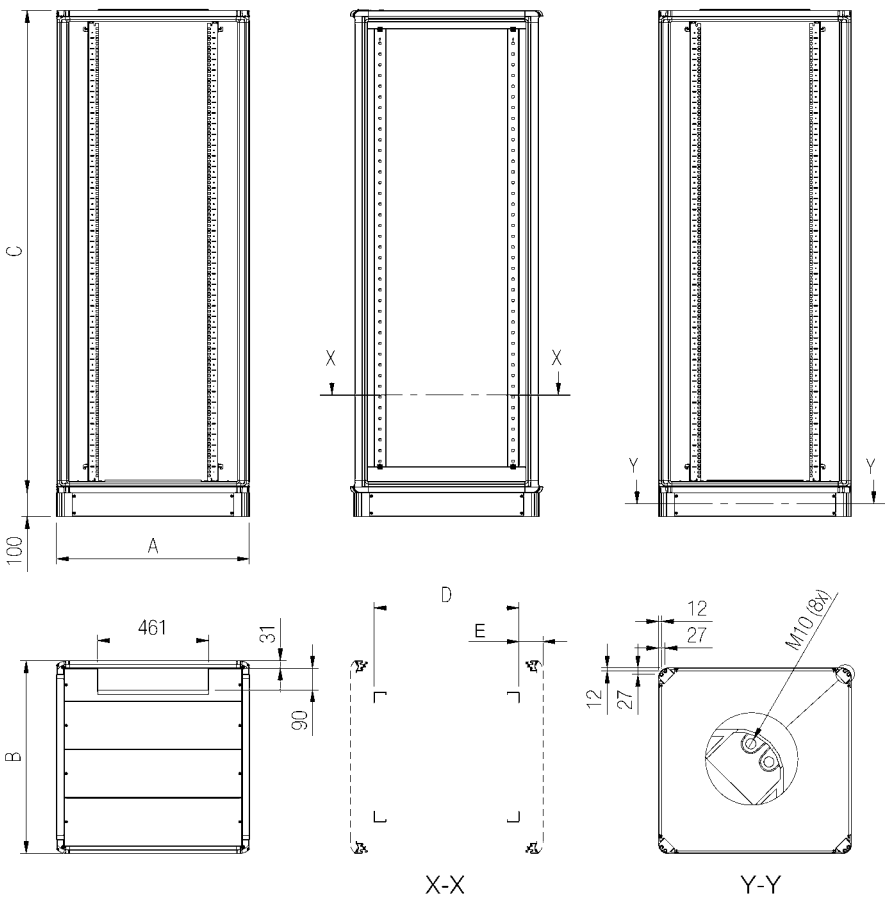
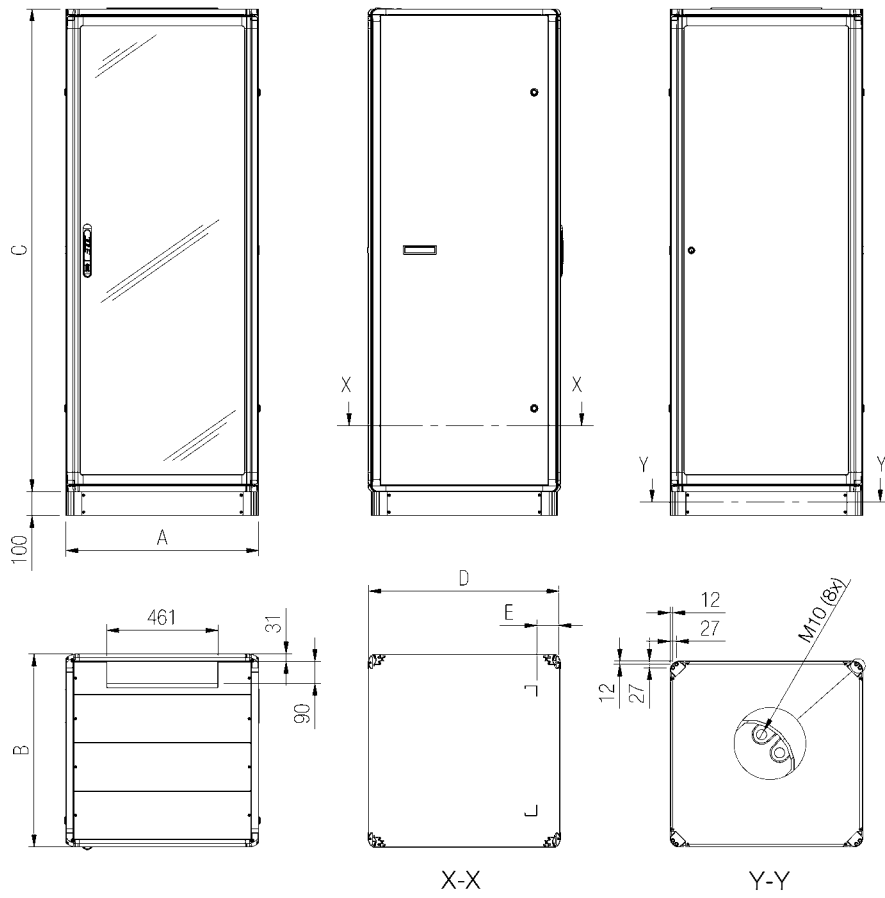
Cable entrance on the side



Add fan package



Cable entrance on both sides



F1 BEIGE

Art. no.	Type designation	EAN-code	Width	Depth	Height	HU
55701	F1 6610	7330701085000	600	600	1000	20
55702	F1 6810	7330701085017	600	800	1000	20
55704	F1 61010	7330701085031	600	1000	1000	20
55706	F1 8610	7330701085055	800	600	1000	20
55707	F1 8810	7330701085062	800	800	1000	20
55709	F1 81010	7330701085086	800	1000	1000	20
55711	F1 6612	7330701085109	600	600	1200	24
55712	F1 6812	7330701085116	600	800	1200	24
55714	F1 61012	7330701085130	600	1000	1200	24
55716	F1 8612	7330701085154	800	600	1200	24
55717	F1 8812	7330701085161	800	800	1200	24
55719	F1 81012	7330701085185	800	1000	1200	24
55721	F1 6614	7330701085208	600	600	1400	29
55722	F1 6814	7330701085215	600	800	1400	29
55724	F1 61014	7330701085239	600	1000	1400	29
55726	F1 8614	7330701085253	800	600	1400	29
55727	F1 8814	7330701085260	800	800	1400	29
55729	F1 81014	7330701085284	800	1000	1400	29
55731	F1 6616	7330701085307	600	600	1600	33
55732	F1 6816	7330701085314	600	800	1600	33
55734	F1 61016	7330701085338	600	1000	1600	33
55736	F1 8616	7330701085352	800	600	1600	33
55737	F1 8816	7330701085369	800	800	1600	33
55739	F1 81016	7330701085383	800	1000	1600	33
55741	F1 6618	7330701085406	600	600	1800	38
55742	F1 6818	7330701085413	600	800	1800	38
55744	F1 61018	7330701085437	600	1000	1800	38
55746	F1 8618	7330701085451	800	600	1800	38
55747	F1 8818	7330701085468	800	800	1800	38
55749	F1 81018	7330701085482	800	1000	1800	38
55751	F1 6620	7330701085505	600	600	2000	42
55752	F1 6820	7330701085512	600	800	2000	42
55754	F1 61020	7330701085536	600	1000	2000	42
55755	F1 61220	7330701085543	600	1200	2000	42
55756	F1 8620	7330701085550	800	600	2000	42
55757	F1 8820	7330701085567	800	800	2000	42
55759	F1 81020	7330701085581	800	1000	2000	42
55760	F1 81220	7330701085598	800	1200	2000	42
55761	F1 6622	7330701085604	600	600	2200	47
55762	F1 6822	7330701085611	600	800	2200	47
55764	F1 61022	7330701085635	600	1000	2200	47
55765	F1 61222	7330701085642	600	1200	2200	47
55766	F1 8622	7330701085659	800	600	2200	47
55767	F1 8822	7330701085666	800	800	2200	47
55769	F1 81022	7330701085680	800	1000	2200	47
55770	F1 81222	7330701085697	800	1200	2200	47

Fo1 BEIGE

Art. no.	Type designation	EAN-code	Width	Depth	Height	HU
55771	Fo1 6610	7330701085703	600	600	1000	20
55772	Fo1 6810	7330701085710	600	800	1000	20
55774	Fo1 61010	7330701085734	600	1000	1000	20
55776	Fo1 8610	7330701085758	800	600	1000	20
55777	Fo1 8810	7330701085765	800	800	1000	20
55779	Fo1 81010	7330701085789	800	1000	1000	20
55781	Fo1 6612	7330701085802	600	600	1200	24
55782	Fo1 6812	7330701085819	600	800	1200	24
55784	Fo1 61012	7330701085833	600	1000	1200	24
55786	Fo1 8612	7330701085857	800	600	1200	24
55787	Fo1 8812	7330701085864	800	800	1200	24
55789	Fo1 81012	7330701085888	800	1000	1200	24
55791	Fo1 6614	7330701085901	600	600	1400	29
55792	Fo1 6814	7330701085918	600	800	1400	29
55794	Fo1 61014	7330701085932	600	1000	1400	29
55796	Fo1 8614	7330701085956	800	600	1400	29
55797	Fo1 8814	7330701085963	800	800	1400	29
55799	Fo1 81014	7330701085987	800	1000	1400	29
55801	Fo1 6616	7330701086007	600	600	1600	33
55802	Fo1 6816	7330701086014	600	800	1600	33
55804	Fo1 61016	7330701086038	600	1000	1600	33
55806	Fo1 8616	7330701086052	800	600	1600	33
55807	Fo1 8816	7330701086069	800	800	1600	33
55809	Fo1 81016	7330701086083	800	1000	1600	33
55811	Fo1 6618	7330701086106	600	600	1800	38
55812	Fo1 6818	7330701086113	600	800	1800	38
55814	Fo1 61018	7330701086137	600	1000	1800	38
55816	Fo1 8618	7330701086151	800	600	1800	38
55817	Fo1 8818	7330701086168	800	800	1800	38
55819	Fo1 81018	7330701086182	800	1000	1800	38
55821	Fo1 6620	7330701086205	600	600	2000	42
55822	Fo1 6820	7330701086212	600	800	2000	42
55824	Fo1 61020	7330701086236	600	1000	2000	42
55825	Fo1 61220	7330701086243	600	1200	2000	42
55826	Fo1 8620	7330701086250	800	600	2000	42
55827	Fo1 8820	7330701086267	800	800	2000	42
55829	Fo1 81020	7330701086281	800	1000	2000	42
55830	Fo1 81220	7330701086298	800	1200	2000	42
55831	Fo1 6622	7330701086304	600	600	2200	47
55832	Fo1 6822	7330701086311	600	800	2200	47
55834	Fo1 61022	7330701086335	600	1000	2200	47
55835	Fo1 61222	7330701086342	600	1200	2200	47
55836	Fo1 8622	7330701086359	800	600	2200	47
55837	Fo1 8822	7330701086366	800	800	2200	47
55839	Fo1 81022	7330701086380	800	1000	2200	47
55840	Fo1 81222	7330701086397	800	1200	2200	47

PR PROFILE

Art. no.	Type designation	EAN-code	HU
56507	PR 20 F1	7330701090066	20
56509	PR 24 F1-S1	7330701090080	24
56511	PR 29 F1	7330701090103	29
56513	PR 33 F1	7330701090127	33
56515	PR 38 F1	7330701090141	38
56517	PR 42 F1-S1	7330701090165	42
56519	PR 47 F1-S1	7330701090189	47

F1 BLACK

Art. no.	Type designation	EAN-code	Width	Depth	Height	HU
56001	F1 6610	7330701086502	600	600	1000	20
56002	F1 6810	7330701086519	600	800	1000	20
56004	F1 61010	7330701086533	600	1000	1000	20
56006	F1 8610	7330701086557	800	600	1000	20
56007	F1 8810	7330701086564	800	800	1000	20
56009	F1 81010	7330701086588	800	1000	1000	20
56011	F1 6612	7330701086601	600	600	1200	24
56012	F1 6812	7330701086618	600	800	1200	24
56014	F1 61012	7330701086632	600	1000	1200	24
56016	F1 8612	7330701086656	800	600	1200	24
56017	F1 8812	7330701086663	800	800	1200	24
56019	F1 81012	7330701086687	800	1000	1200	24
56021	F1 6614	7330701086700	600	600	1400	29
56022	F1 6814	7330701086717	600	800	1400	29
56024	F1 61014	7330701086731	600	1000	1400	29
56026	F1 8614	7330701086755	800	600	1400	29
56027	F1 8814	7330701086762	800	800	1400	29
56029	F1 81014	7330701086786	800	1000	1400	29
56031	F1 6616	7330701086809	600	600	1600	33
56032	F1 6816	7330701086816	600	800	1600	33
56034	F1 61016	7330701086830	600	1000	1600	33
56036	F1 8616	7330701086854	800	600	1600	33
56037	F1 8816	7330701086861	800	800	1600	33
56039	F1 81016	7330701086885	800	1000	1600	33
56041	F1 6618	7330701086908	600	600	1800	38
56042	F1 6818	7330701086915	600	800	1800	38
56044	F1 61018	7330701086939	600	1000	1800	38
56046	F1 8618	7330701086953	800	600	1800	38
56047	F1 8818	7330701086960	800	800	1800	38
56049	F1 81018	7330701088964	800	1000	1800	38
56051	F1 6620	7330701087004	600	600	2000	42
56052	F1 6820	7330701087011	600	800	2000	42
56054	F1 61020	7330701087035	600	1000	2000	42
56055	F1 61220	7330701087042	600	1200	2000	42
56056	F1 8620	7330701087059	800	600	2000	42
56057	F1 8820	7330701087066	800	800	2000	42
56059	F1 81020	7330701087080	800	1000	2000	42
56060	F1 81220	7330701087097	800	1200	2000	42
56061	F1 6622	7330701087103	600	600	2200	47
56062	F1 6822	7330701087110	600	800	2200	47
56064	F1 61022	7330701087134	600	1000	2200	47
56065	F1 61222	7330701087141	600	1200	2200	47
56066	F1 8622	7330701087158	800	600	2200	47
56067	F1 8822	7330701087165	800	800	2200	47
56069	F1 81022	7330701087189	800	1000	2200	47
56070	F1 81222	7330701087196	800	1200	2200	47

S1 BLACK

Art. no.	Type designation	EAN-code	Width	Depth	Height	HU
56214	S1 61012	7330701088131	600	1000	1200	24
56219	S1 81012	7330701088186	800	1000	1200	24
56254	S1 61020	7330701088537	600	1000	2000	42
56255	S1 61220	7330701088544	600	1200	2000	42
56259	S1 81020	7330701088582	800	1000	2000	42
56260	S1 81220	7330701088599	800	1200	2000	42
56264	S1 61022	7330701088636	600	1000	2200	47
56265	S1 61222	7330701088643	600	1200	2200	47
56269	S1 81022	7330701088681	800	1000	2200	47
56270	S1 81222	7330701088698	800	1200	2200	47

Fo1 BLACK

Art. no.	Type designa-	EAN-code	Width	Depth	Height	HU
56071	Fo1 6610	7330701087202	600	600	1000	20
56072	Fo1 6810	7330701087219	600	800	1000	20
56074	Fo1 61010	7330701087233	600	1000	1000	20
56076	Fo1 8610	7330701087257	800	600	1000	20
56077	Fo1 8810	7330701087264	800	800	1000	20
56079	Fo1 81010	7330701087288	800	1000	1000	20
56081	Fo1 6612	7330701087301	600	600	1200	24
56082	Fo1 6812	7330701087318	600	800	1200	24
56084	Fo1 61012	7330701087332	600	1000	1200	24
56086	Fo1 8612	7330701087356	800	600	1200	24
56087	Fo1 8812	7330701087363	800	800	1200	24
56089	Fo1 81012	7330701087387	800	1000	1200	24
56091	Fo1 6614	7330701087400	600	600	1400	29
56092	Fo1 6814	7330701087417	600	800	1400	29
56094	Fo1 61014	7330701087431	600	1000	1400	29
56096	Fo1 8614	7330701087455	800	600	1400	29
56097	Fo1 8814	7330701087462	800	800	1400	29
56099	Fo1 81014	7330701087486	800	1000	1400	29
56101	Fo1 6616	7330701087509	600	600	1600	33
56102	Fo1 6816	7330701087516	600	800	1600	33
56104	Fo1 61016	7330701087530	600	1000	1600	33
56106	Fo1 8616	7330701087554	800	600	1600	33
56107	Fo1 8816	7330701087561	800	800	1600	33
56109	Fo1 81016	7330701087585	800	1000	1600	33
56111	Fo1 6618	7330701087608	600	600	1800	38
56112	Fo1 6818	7330701087615	600	800	1800	38
56114	Fo1 61018	7330701087639	600	1000	1800	38
56116	Fo1 8618	7330701087653	800	600	1800	38
56117	Fo1 8818	7330701087660	800	800	1800	38
56119	Fo1 81018	7330701087684	800	1000	1800	38
56121	Fo1 6620	7330701087707	600	600	2000	42
56122	Fo1 6820	7330701087714	600	800	2000	42
56124	Fo1 61020	7330701087738	600	1000	2000	42
56125	Fo1 61220	7330701087745	600	1200	2000	42
56126	Fo1 8620	7330701087752	800	600	2000	42
56127	Fo1 8820	7330701087769	800	800	2000	42
56129	Fo1 81020	7330701087783	800	1000	2000	42
56130	Fo1 81220	7330701087790	800	1200	2000	42
56131	Fo1 6622	7330701087806	600	600	2200	47
56132	Fo1 6822	7330701087813	600	800	2200	47
56134	Fo1 61022	7330701087837	600	1000	2200	47
56135	Fo1 61222	7330701087844	600	1200	2200	47
56136	Fo1 8622	7330701087851	800	600	2200	47
56137	Fo1 8822	7330701087868	800	800	2200	47
56139	Fo1 81022	7330701087882	800	1000	2200	47
56140	Fo1 81222	7330701087899	800	1200	2200	47

So1 BLACK

Art. no.	Type designation	EAN-code	Width	Depth	Height	HU
56314	So1 61012	7330701089138	600	1000	1200	24
56319	So1 81012	7330701089183	800	1000	1200	24
56354	So1 61020	7330701089534	600	1000	2000	42
56355	So1 61220	7330701089541	600	1200	2000	42
56359	So1 81020	7330701089589	800	1000	2000	42
56360	So1 81220	7330701089596	800	1200	2000	42
56364	So1 61022	7330701089633	600	1000	2200	47
56365	So1 61222	7330701089640	600	1200	2200	47
56369	So1 81022	7330701089688	800	1000	2200	47
56370	So1 81222	7330701089695	800	1200	2200	47

ENOC SYSTEM: FOCUS ON CUSTOMER BENEFIT AND AVAILABILITY



“Enoc listens to our needs”
Jonas Björklund, technical manager at
GleSYS, Stockholm

“We regard Enoc more as a partner
than a supplier”
Erik Kjellin, technical manager at
Availo, Stockholm





SOLUTIONS & OPPORTUNITIES

Enoc System is Scandinavia's leading manufacturer of enclosures and accessories for IT installations, with operations throughout northern Europe.

Enoc System's products are characterised by flexibility, quality and design.

Enoc System finds solutions – and opens new possibilities.

